



arco valves Pvt. Ltd.

We are pleased to introduce ourselves, **M/s. Arco Group of Companies** as turn key service providers, and contractors of metallic and non-metallic piping systems, besides manufacturing of Industrial and Marine Valves, pipe fittings, flanges and hydraulic fittings as well as suppliers of project associated industrial hardware. We are also engaged in decommissioning activities of live plants under our sister concern **M/s. Hi-Tech Engineering Works, M/s. Hindustan Engineering Corporation, M/s Jass Polymers and M/s Hindustan Hardware.**

Ours is a group of engineering firms with professionals highly motivated, having 25 to 30 year's experience into this field and a complete knowhow of project requirements. We are also in collaboration with several premier manufactures of the country.

While we have South East Asian countries, Europe, Middle East and SAARC to our credit for successful exports, we have equally concentrated on indigenous supplies and have many prestigious projects where our supplied items are successfully commissioned.

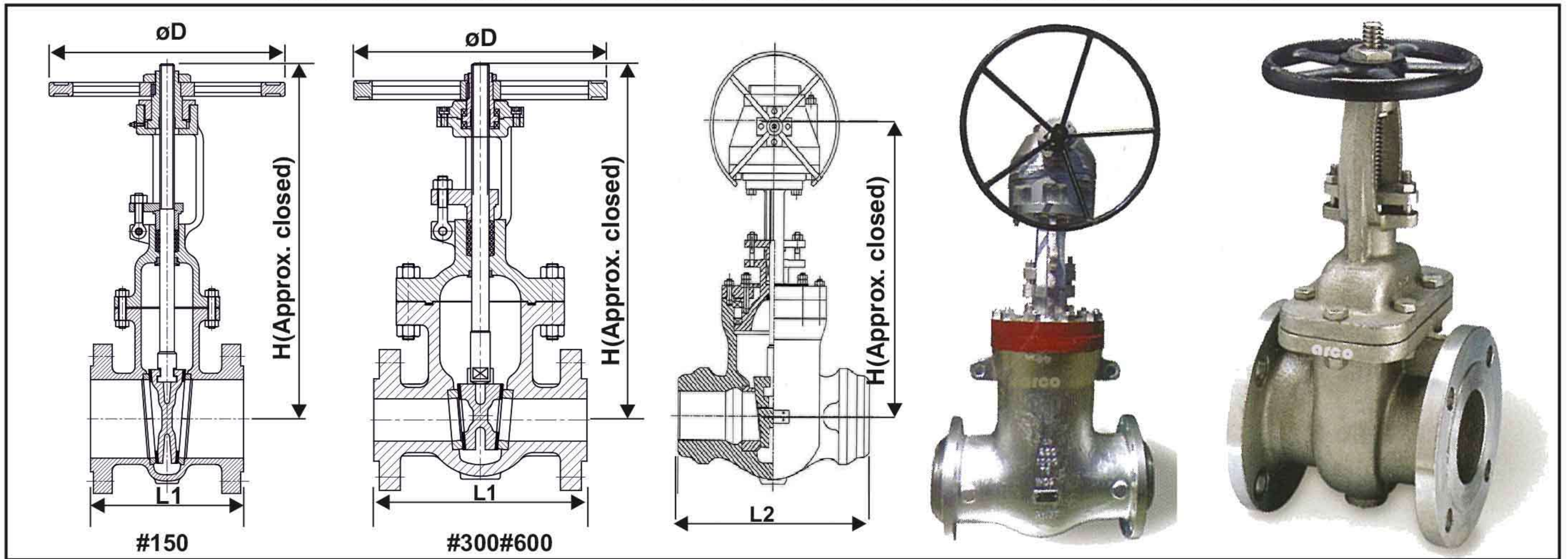
It will be appropriate to mention that for **ONGC** offshore vessel we have carried out several turn key revamp projects under ABS pacific survey and have also carried out refurbishment of various valves & pumps at **M/s IFFCO, Paradeep, Odisha.** We are approved vendors to **Mazagon Dock Ltd.** in their various divisions including offshore.

At **Bandra Worli Sea Link Project & Mumbai Metro Monorail** projects of **HCC Ltd.**, our contribution to the new technology in infrastructure development has been highly admired and in the past nine years we have contracts worth several crores with them successfully executed.

We are enclosing herewith a list of our clients and are able to offer the materials under any third party inspection like **ABS, Lloyds, SGS, BVIS, KPG** etc. to name a few.

CAST STEEL GATE VALVE #150#300#600#900#1500#2500

BOLTED BONNET GATE VALVE #150#300#600#900#1500



Technical Specifications

Manufacturing Standard : API 600 / ISO 10434 / BS 1414 / ASME B 16.34

Face to Face : ASME B16.10/BS 2080

Flange Dim. & Drilling : ASME B16.5

Testing Standard : API 598 / ASME B 16.34

- The Gate Valve will have OS & Y Construction rising stem.
- Bolted Bonnet up to #600.
- Pressure Sealed Bonnet for #900 and above.
- Seal welded seat rings and wedges flexible type.

#150

Nominal Size	40	50	65	80	100	125	150	200	250	300	350	400	450	500	550	600
L1	165	178	190	203	229	254	267	292	330	356	381	406	432	457	483	508
L2	-	216	241	283	305	381	403	419	457	502	572	610	660	711	762	813
H	385	385	432	510	592	658	759	959	1163	1362	1523	1691	1888	2124	2326	2492
D	200	200	200	250	250	300	300	350	400	450	500	600	600	680	680	760

#300

Nominal Size	40	50	65	80	100	125	150	200	250	300	350	400	450	500	550	600
L1	190	216	241	283	305	381	403	419	457	502	762	838	914	991	1092	1143
L2	-	216	241	283	305	381	403	419	457	502	762	838	914	991	1092	1143
H	411	411	454	528	613	692	790	1013	1215	1437	1561	1729	1931	2137	2364	2540
D	200	200	200	250	250	300	350	400	450	500	600	600	680	760	760	910

#600

Nominal Size	50	65	80	100	125	150	200	250	300
L1	292	330	356	432	508	559	660	787	838
L2	292	330	356	432	508	559	660	787	838
H	447	499	544	666	770	892	1065	1257	1464
D	200	250	250	300	400	450	500	600	680

PRESSURE SEAL GATE VALVE #900#1500#2500

#900

Nominal Size	50	80	100	150	200	250	300
L1	368	381	457	610	737	838	965
L2	368	381	457	610	737	838	965
H	521	620	698	901	1087	1286	1498
D	250	300	350	500	600	680	760

#1500

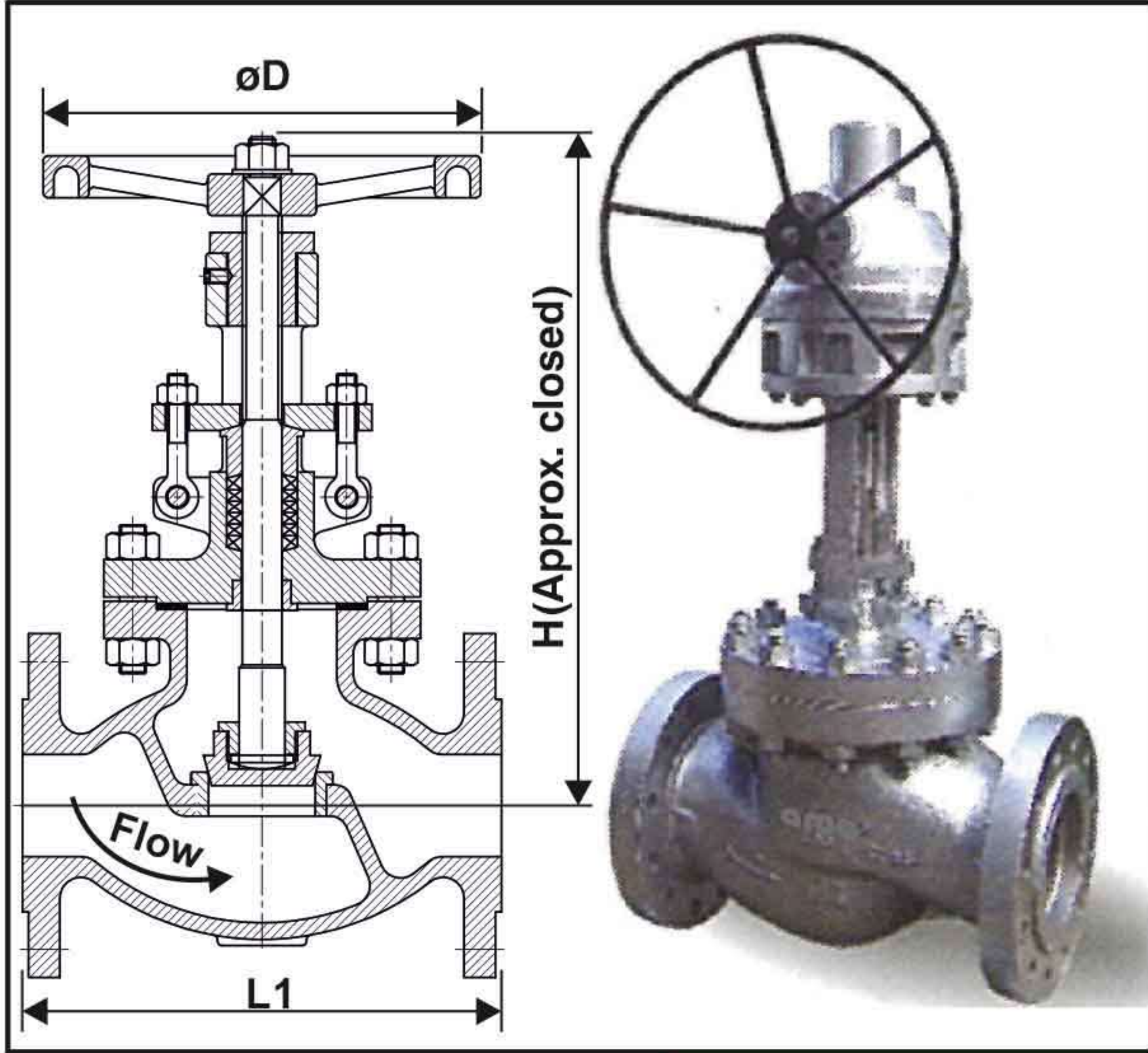
Nominal Size	50	50	80	100	150	200	250	300
L1	368	419	470	546	705	832	991	1130
L2	368	419	470	546	705	832	991	1130
H	521	633	686	772	1050	1250	1477	1658
D	250	300	350	400	600	680	910	910

#2500

Nominal Size	50	65	80	100	150	200
L1	451	508	578	673	914	832
L2	451	508	578	673	914	832
H	633	737	762	885	1243	1250
D	250	300	350	400	500	680

CAST STEEL GLOBE VALVE #150#300#600#900#1500#2500

BOLTED BONNET GLOBE VALVE #150#300#600#900#1500



Technical Specifications

Manufacturing Standard	: BS 1873 / ASME B 16.34
Face to Face	: ASME B16.10
Flange Dim. & Drilling	: ASME B16.5
Testing Standard	: BSEN 12266 - I / ASMEB16.34

- The Globe Valves will have OS & Y construction rising stem and hand wheel.
- Bolted Bonnet up to #600.
- Pressure Sealed Bonnet for #900 and above
- Threaded seat rings for #150#300 and #600.
- Seal welded seat rings for #900 and above.

#150

Nominal Size	40	50	65	80	100	125	150	200	250	300	350	400	450
L1	165	203	216	241	292	356	406	495	622	698	787	914	978
L2	-	203	216	241	292	356	406	495	622	698	787	914	978
H	332	332	379	390	460	464	513	630	979	1049	1106	1224	1264
D	200	200	250	250	250	300	350	400	500	500	500	600	600

#300

Nominal Size	40	50	65	80	100	125	150	200	250	300	350	400
L1	229	267	292	318	356	400	444	559	622	711	838	864
L2	-	267	292	318	356	400	444	559	622	711	838	864
H	362	362	433	436	510	610	685	1062	1143	1188	1450	1410
D	200	200	250	250	350	400	450	500	600	600	600	600

#600

Nominal Size	50	65	80	100	125	150	200	250	300
L1	292	330	356	432	508	559	660	787	838
L2	292	330	356	432	508	559	660	787	838
H	400	475	506	897	930	991	1167	1320	1580
D	250	300	350	500	500	500	600	600	610

PRESSURE SEAL GLOBE VALVE

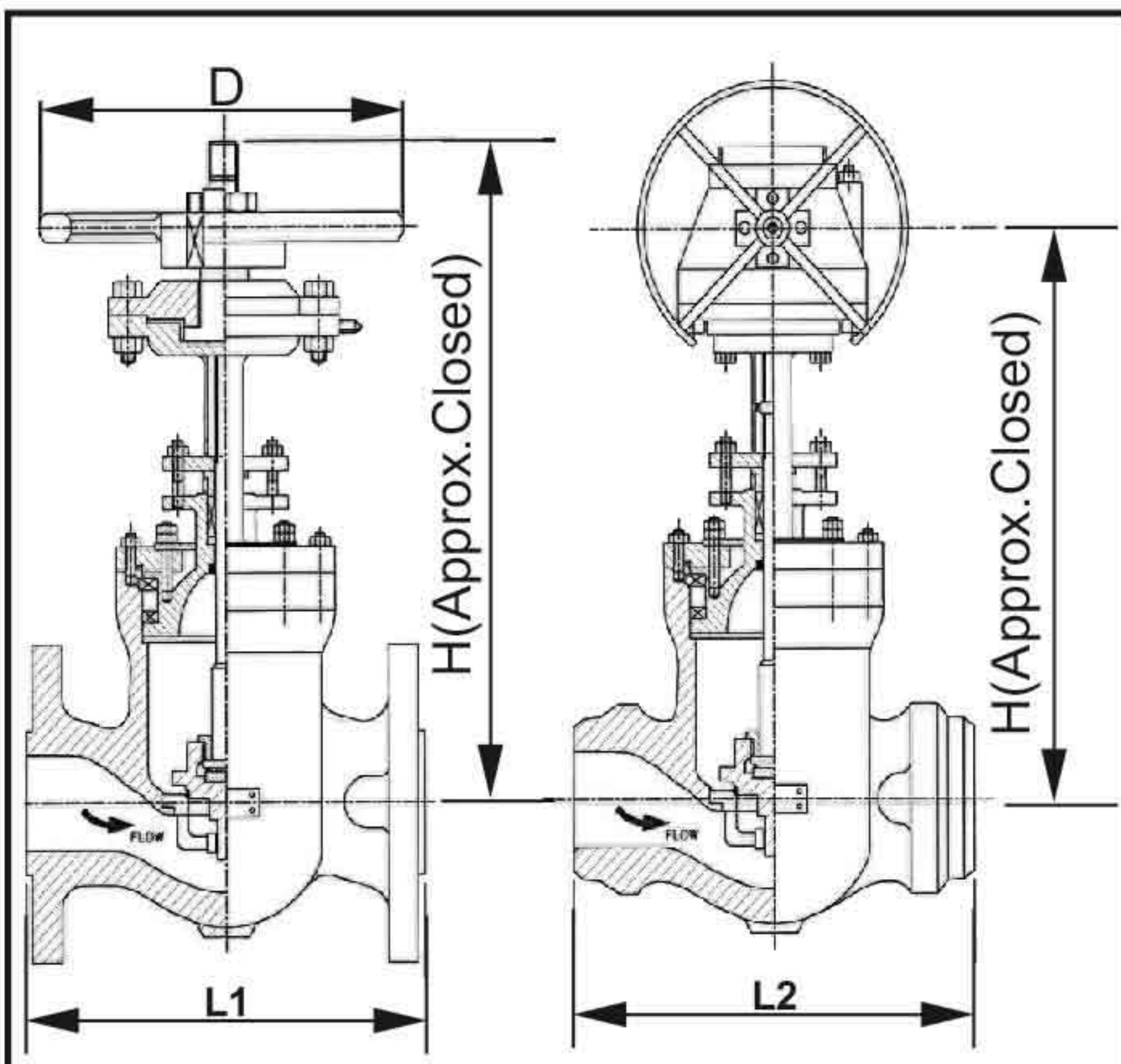
#900#1500#2500

#900

Nominal Size	80	100	150	200
L1	381	457	610	737
L2	381	457	610	737
H	900	957	1173	1381
D	500	500	600	600

#1500

Nominal Size	50	65	80	100	150	200
L1	368	419	470	546	705	832
L2	368	419	470	546	705	832
H	540	920	964	1102	1366	1400
D	350	500	500	600	600	610



#2500

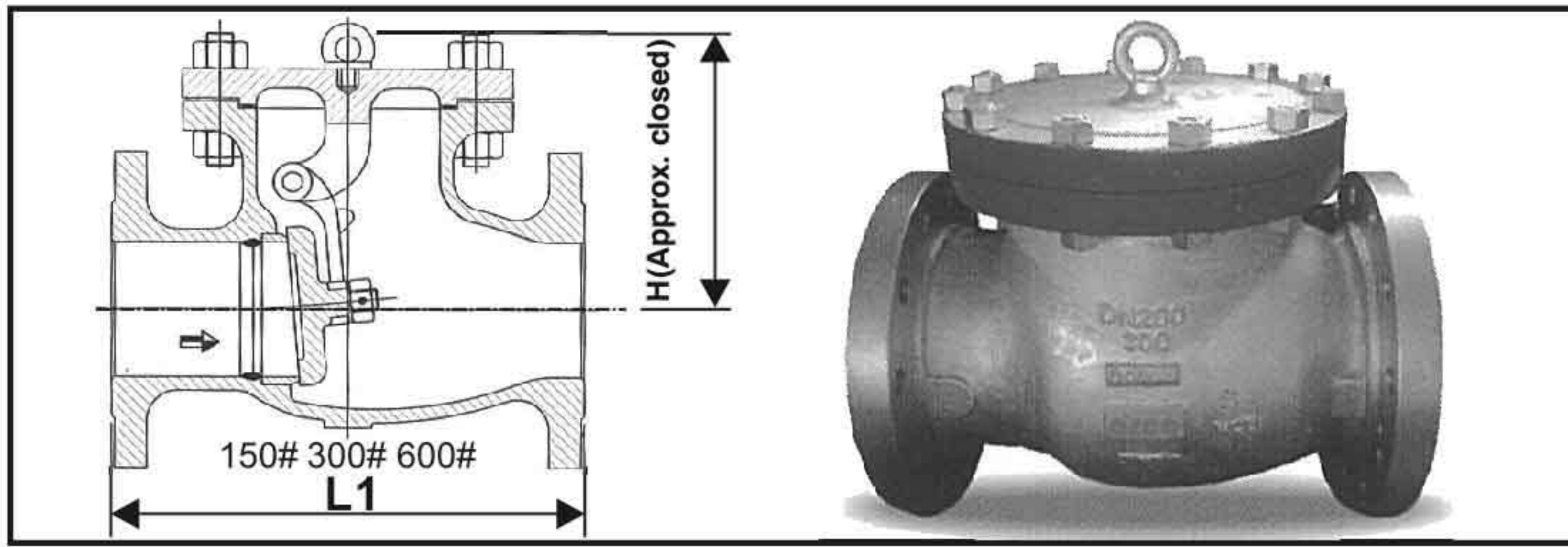
Nominal Size	50	65	80	100
L1	451	508	578	673
L2	451	508	578	673
H	648	702	1016	1278
D	400	500	600	600

TEST PRESSURE (bar)

TEST PRESSURE (bar)		#150	#300	#600	#900	#1500
HYDROSTATIC	SHELL	31	76	156	230	384
	SEAT	21	56	102	169	282
	BACK SEAT	21	56	102	169	282
AIR	SEAT	6.9				

CAST STEEL SWING CHECK VALVE #150#300#600#900#1500#2500

BOLTED COVER SWING CHECK VALVE #150#300#600#900#1500



Technical Specifications

Manufacturing Standard	: BS 1868/ASME B 16.34
Face to Face	: ASME B 16.10
Flange Dimensions & Drilling	: ASME B16.5
Testing Standard	: BSEN 12266-I/ASME B 16.34
SWING CHECK VALVE 900# 1500#	

TEST PRESSURE (bar)

TEST PRESSURE (bar)		#150	#300	#600	#900	#1500
HYDROSTATIC	SHELL	31	76	156	230	384
	SEAT	21	56	102	169	282

#150

Nominal

Size	40	50	65	80	100	125	150	200	250	300	350	400	450	500	550	600
L1	165	203	216	241	292	330	356	495	622	698	787	864	978	978	1067	1295
L2	-	203	216	241	292	330	356	495	622	698	787	864	978	978	1067	1295
H	135	152	170	180	200	235	250	295	334	368	415	460	510	583	585	630

#300

Nominal

Size	40	50	65	80	100	125	150	200	250	300	350	400	450	500	600
L1	241	267	292	318	356	400	444	533	622	711	838	864	978	1016	1346
L2	-	267	292	318	356	400	444	533	622	711	838	864	978	1016	1346
H	140	165	190	205	225	250	272	330	360	406	480	535	575	630	805

#600

Nominal

Size	50	65	80	100	125	150	200	250	300	350	400	450	500	600
L1	292	330	356	432	508	559	660	787	838	889	991	1092	1194	1397
L2	292	330	356	432	508	559	660	787	838	889	991	1092	1194	1387
H	180	197	220	256	292	318	356	415	450	556	601	635	707	856

SWING CHECK VALVE #900#1500#2500

#900

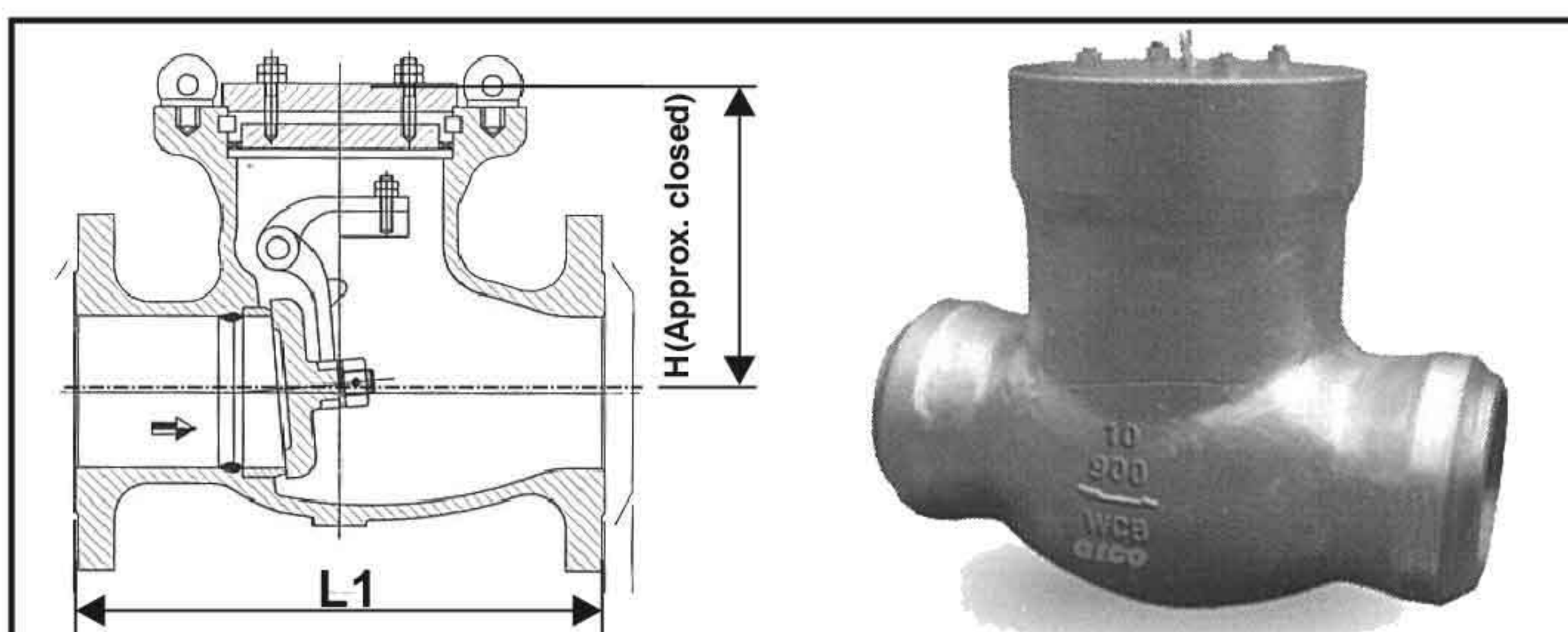
Nominal

Size	50	80	100	150	200	250	300	350	400	450	500
L1	292	381	457	610	737	838	965	1029	1130	1219	1321
L2	292	381	457	610	737	838	965	1029	1130	1219	1321
H	180	292	346	444	526	620	720	794	880	952	1042

#1500

Nominal

Size	50	65	80	100	150	200	250	300	350	400
L1	368	419	470	546	705	832	991	1130	1257	1384
L2	368	419	470	546	705	832	991	1130	1257	1384
H	290	316	347	391	515	650	737	875	955	1082



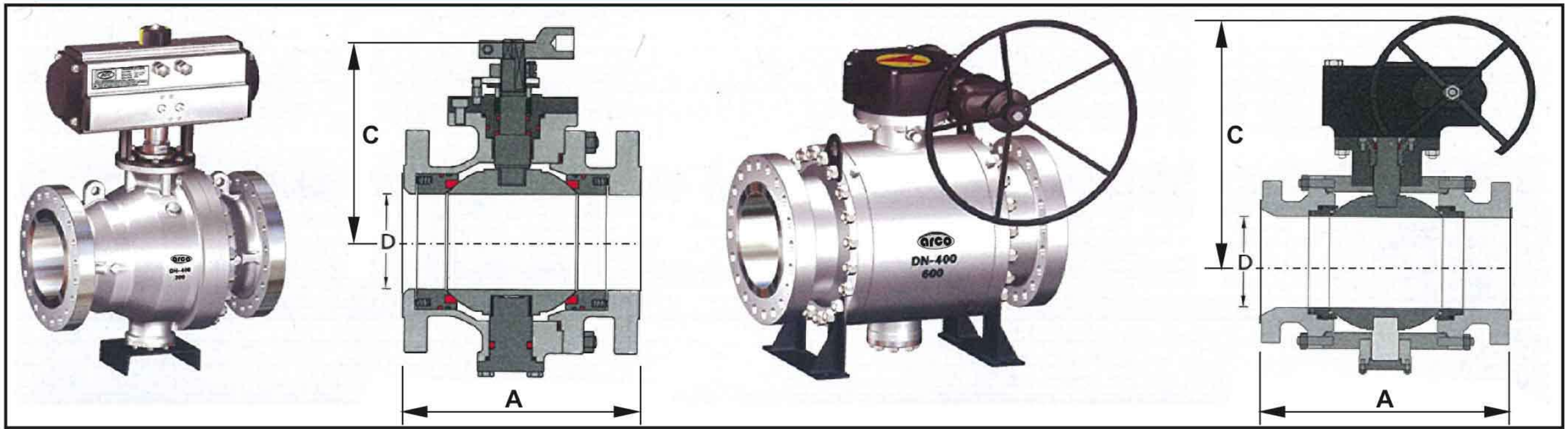
#2500

Nominal

Size	50	65	80	100	150
L1	451	508	578	673	914
L2	451	508	578	673	914
H	335	385	400	450	580

TRUNNION MOUNTED BALL VALVES

TWO & THREE PIECE - DIMENSIONS



Two Piece - Cast

Three Piece - Forged

	A			C						D	
	Class 150	Class 300	Class 600	Class 150		Class 300		Class 600		RB	FB
				RB	FB	RB	FB	RB	FB	RB	FB
50	178	216	292	100	135	170	135	140	180	38	50
(2)	(7.0)	(8.5)	(11.5)	(3.9)	(5.3)	(6.7)	(5.3)	(5.5)	(7.1)	(1.5)	(2.0)
65	190	241	330	135	155	185	155	180	190	50	62
(2.5)	(7.5)	(9.5)	(13.0)	(5.3)	(6.1)	(7.3)	(6.1)	(7.1)	(7.5)	(2.0)	(2.4)
80	203	283	356	150	170	210	170	190	210	55	76
(3)	(8.0)	(11.1)	(14.0)	(5.9)	(6.7)	(8.3)	(6.7)	(7.5)	(8.3)	(2.2)	(3.0)
100	229	305	432	170	205	230	512	420	585	76	98
(4)	(9.0)	(12.0)	(17.0)	(6.7)	(8.1)	(9.1)	(20.2)	(16.5)	(23.0)	(3.0)	(3.9)
150	267"	403	559	205	525	675	610	585	685	98	150
(6)	(10.5)	(15.9)	(22.0)	(8.1)	(20.7)	(26.6)	(24.0)	(23.0)	(27.0)	(3.9)	(5.9)
200	292"	502	660	490	675	745	684	685	895	150	200
(8)	(10.5)	(19.8)	(26.0)	(19.3)	(26.6)	(29.3)	(26.9)	(27.0)	(35.2)	(5.9)	(7.9)
250	330	568	787	630	695	738	740	905	960	187	252
(10)	(13.0)	(22.4)	(31.0)	(24.8)	(27.4)	(29.0)	(29.1)	(35.6)	(37.8)	(7.4)	(9.9)
300	356	648	838	700	755	810	808	975	980	228	305
(12)	(14.0)	(25.5)	(33.0)	(27.6)	(29.7)	(31.9)	(31.8)	(38.4)	(38.6)	(9.0)	(12.0)
350	686	762	889	725	865	855	879	995	1050	266	335
(14)	(27.0)	(30.0)	(35.0)	(28.5)	(34.1)	(33.7)	(34.6)	(39.2)	(41.3)	(10.4)	(13.2)
400	762	838	991	810	935	950	968	1050	1125	305	385
(16)	(30.0)	(33.0)	(39.0)	(31.9)	(36.8)	(37.4)	(38.1)	(41.3)	(44.3)	(12.0)	(15.2)
450	864	914	1092	980	1105	1025	1092	1075	1200	335	436
(18)	(34.0)	(36.0)	(43.0)	(38.6)	(43.5)	(40.4)	(43.0)	(42.3)	(47.2)	(13.2)	(17.2)
500	914	991	1194	1015	1180	1085	1220	1125	1350	385	487
(20)	(36.0)	(39.0)	(47.0)	(41.3)	(46.5)	(42.7)	(48.0)	(44.3)	(53.1)	(15.2)	(19.2)
600	1067	1143	1397	1190	1420	1165	1340	1350	1450	487	589
(24)	(42.00)	(45.0)	(55.0)	(46.5)	(55.9)	(45.9)	(52.8)	(53.1)	(57.1)	(19.2)	(23.2)
750	1295	1397	1651	1450	1650	1550	1800	1580	1650	633	735
(30)	(51.0)	(55.0)	(65.0)	(57.1)	(65.0)	(61.0)	(70.9)	(62.2)	(65.0)	(24.9)	(28.9)

Size mm (inch)	A		C				D	
	Class 900	Class 1500	Class 900		Class 1500		RB	FB
			RB	FB	RB	FB	RB	FB
50	368	368	247	450	38	50	38	50
(2)	(14.5)	(14.5)	(9.7)	(17.7)	(1.5)	(2.0)	(1.5)	(2.0)
65	419	419	425	475	50	62	50	62
(21/2)	(16.5)	(16.5)	(16.7)	(18.7)	(2.0)	(2.4)	(2.0)	(2.4)
80	381	470	450	575	62	76	62	76/74 ²
(3)	(15.0)	(18.5)	(17.7)	(22.6)	(2.4)	(3.0)	(2.4)	(3.0/2.9)
100	457	546	457	600	76	100	76/74 ²	100
(4)	(18.0)	(21.5)	(18.0)	(23.6)	(3.0)	(3.9)	(3.0/2.9)	(3.9)
150	610	705	575	750	100	150	100	150/144 ²
(6)	(24.0)	(27.8)	(22.6)	(29.5)	(3.9)	(5.9)	(3.9)	(5.9/5.7)
200	737	832	730	850	150	201	150/144 ²	201/192 ²
(8)	(29.0)	(32.8)	(28.7)	(33.5)	(5.9)	(7.9)	(5.9/5.7)	(7.9/7.6)
250	838	991	810	950	201	252	201/192 ²	252/239 ²
(10)	(33.0)	(39.0)	(31.9)	(37.4)	(7.9)	(9.9)	(7.9/7.6)	(9.9/9.4)
300	965	1130	870	1150	252	305	252/239 ²	305/287 ²
(12)	(38.0)	(44.5)	(34.3)	(45.3)	(9.9)	(12.0)	(9.9/9.4)	(12.0/11.3)
350	1029	-	975	1125	252	322	-	-
(14)	(40.5)	-	(38.4)	(44.3)	(9.9)	(12.7)	-	-
400	1130	-	1200	1325	305	373	-	-
(16)	(44.5)	-	(47.2)	(52.2)	(12.0)	(14.7)	-	-

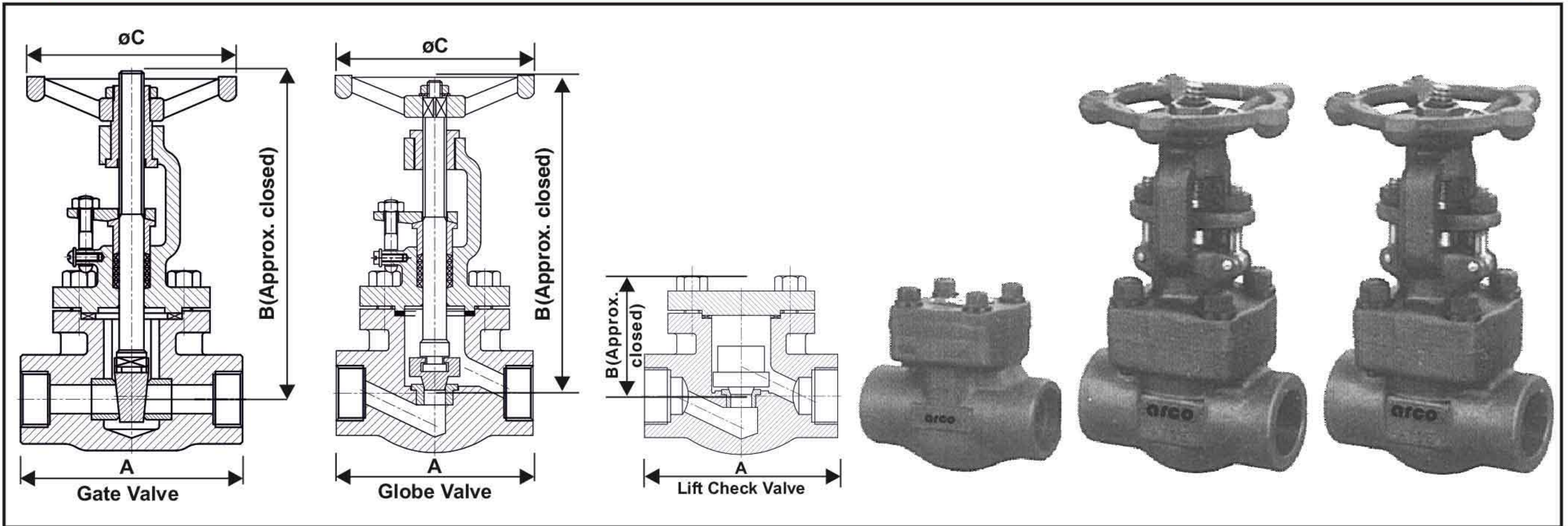
- RB = REDUCED BORE
- FB = FULL BORE
- * WORM GEAR OPERATED

1) Long Pattern for Full Bore & Sealant Injection System. 2) Dimension 'D' for Class 1500. • Lever Operation for size 50mm (2") to 100 mm (4") class 150 to 600.

- Flanged Ends according to ASME B16.5; other drillings on request. • Butt Weld Ends according to SME B16.25.
- Please Specify Working Pressure, Temperature & Service conditions.
- Valves can be supplied with Padlock, Electric, Pneumatic or Gear Actuators & other accessories like Limit Switch, Solenoid Valve. Air Filter Regulator, Positioner etc.

ALL Dimensions are in mm (inch)

FORGED STEEL GATE, GLOBE & LIFT CHECK VALVES #800#1500#2500



GATE #800			
Size (mm/inch)	A	B	ø C
15(1/2")	88	154	110
20 (3/4")	92	162	110
25(1")	106	171	110
32(1 1/4")	128	233	170
40(1 1/2")	128	233	170
50(2")	140	240	170

Technical Specifications	
Manufacturing Standard	: API 602/BS 5352/EN ISO 15761/ASME B 16.34
Face to Face	: Manufacture Standards
Testing Standard	: API 598/ BSEN-12266 - I
Socket weld	: ASME B16.11 (SCH-40, 80, 160, XXS)
Screwed End	: (NPT) B 1.20.1, (BSP, BSPT) BS 21/IS 554.
Butt Weld Ends	: ASME B 16.25(SCH-40, 80, 60, XXS)

GLOBE #800			
Size (mm/inch)	A	B	ø C
15(1/2")	88	160	110
20 (3/4")	92	170	110
25(1")	106	176	110
32(1 1/4")	128	252	170
40(1 1/2")	128	252	170
50(2")	140	254	170

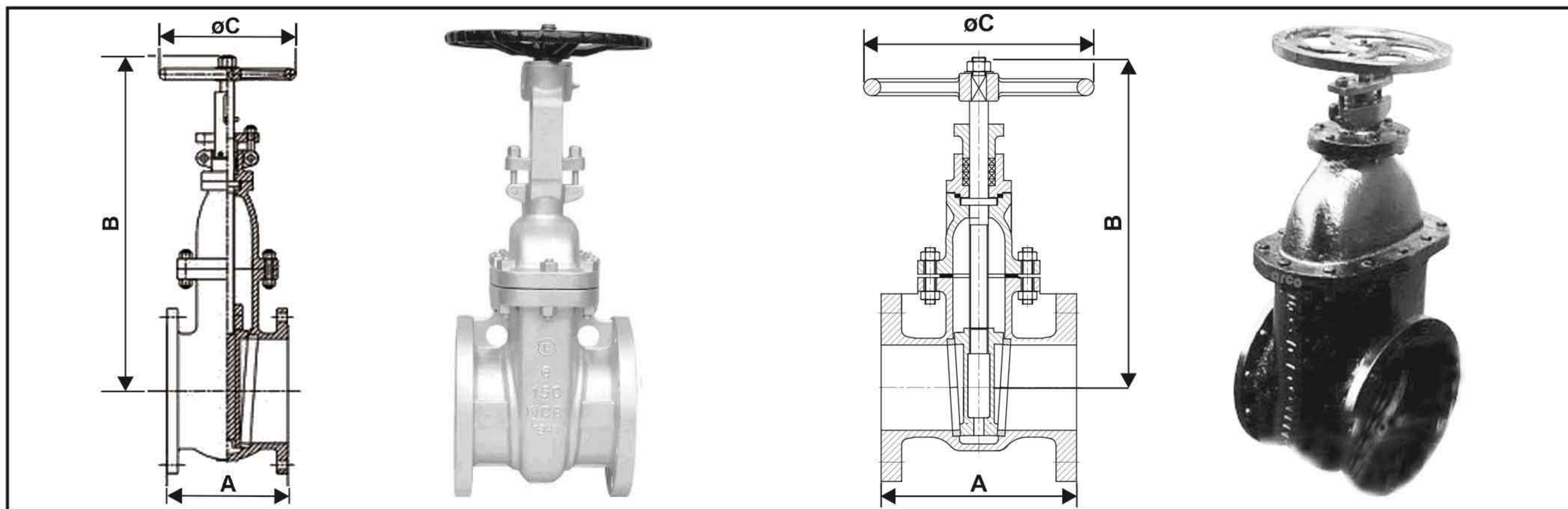
STANDARD MATERIALS OF CONSTRUCTION	
COMPONENTS	: MATERIAL OF CONSTRUCTION
Body	: ASTM A 105/182 F304/F316/F316L/F304L/F11/F22/350 L.F2
Bonnet/Cover	: ASTM A 105/182 F304/F316/F316L/F304L/F11/F22/350 L.F2
Wedge/Plug/Disc	: SS410/CA 15/SS 304/SS 316/SS 316L/SS 304L
Stem	: SS 410/SS 304 / SS 316 / SS 304L / SS 316L
Seat Ring	: SS 410/SS 304 /SS 316 / SS 304L / SS 316L
Gland Flange	: A105/F304
Gland Packing	: Grafoil
Gasket	: Spiral Wound SS 304/316 + Grafoil
Hand wheel	: Malleable Iron
Fstners	: B7/2H,B7M/2HM,B8/8, B8M/8M, L7/7

LIFT CHECK #800		
Size (mm/inch)	A	B
15(1/2")	88	57
20 (3/4")	92	65
25(1")	106	72
32(1 1/4")	128	109
40(1 1/2")	128	109
50(2")	140	112

TEST PRESSURE (bar)			
HYDROSTATIC	TEST PRESSURE (bar)	#800	#1500
	SHELL	207	389
	SEAT	155	285
AIR	BACK SEAT	155	285
	SEAT	6.9	

- Wedge/Plug/Disc and seat ring will be overlaid stellite with stellite 6 on request for #800
- Mandatory for #1500 and above.
- Flanged Ended Forged Steel Valves will be available with WELDON / SLIPON FLANGES (#150 #300 #600)
- Welded Bonnet Construction for # 1500 #800

CAST IRON GATE (RISING AND NON RISING TYPE PN 10 PN 16)



SIZE (mm)	50	65	80	100	125	150	200	250	300	350	400	450	500	600	700	750	800	900	1000	1100	1200
A	178	190	203	229	254	267	292	330	356	381	406	432	457	508	610	610	660	711	811	1650	1800
B	365	390	425	470	540	595	725	835	940	1030	1100	1200	1340	1500	1620	1720	1820	2040	2200	2400	2580
øC	225	225	225	320	320	320	360	400	400	500	640	720	720	720	800	900	900	900	900	1000	1000

SIZE (mm)	50	65	80	100	125	150	200	250	300
A	178	190	203	229	254	267	292	330	356
B	425	450	480	558	600	670	780	900	1010
øC	225	225	225	320	320	320	360	400	400

Technical Specifications

Design & Testing : IS 14846

MATERIAL SPECIFICATIONS

COMPONENTS	MATERIAL OF CONSTRUCTION
Body	IS 210 FG 220 (CI)/A 536 Gr 40 (DI)
Bonnet	IS 210 FG 220 (CI) / A 536 Gr 40 (DI)
Wedge (Gate)	IS 210 FG 220 (CI) / A 536 Gr 40 (DI)
Wedge Face Ring	LTB2/SS410
Seat Ring	LTB2/SS410
Stem	SS 410

TEST PRESSURE (bar)

TEST PRESSURE (bar)		PN10	PN16
HYDROSTATIC	SHELL	15	24
	SEAT	10	16

KINETIC AIR VALVE & DOUBLE BALL AIR VALVE

Technical Specifications

Design & Manufacturing	: IS 14845
Inspection & Testing	: IS 14845
Flange Standard	: IS 1538 / BS 10 Table D/E
Size Range	: 50mm TO 200mm

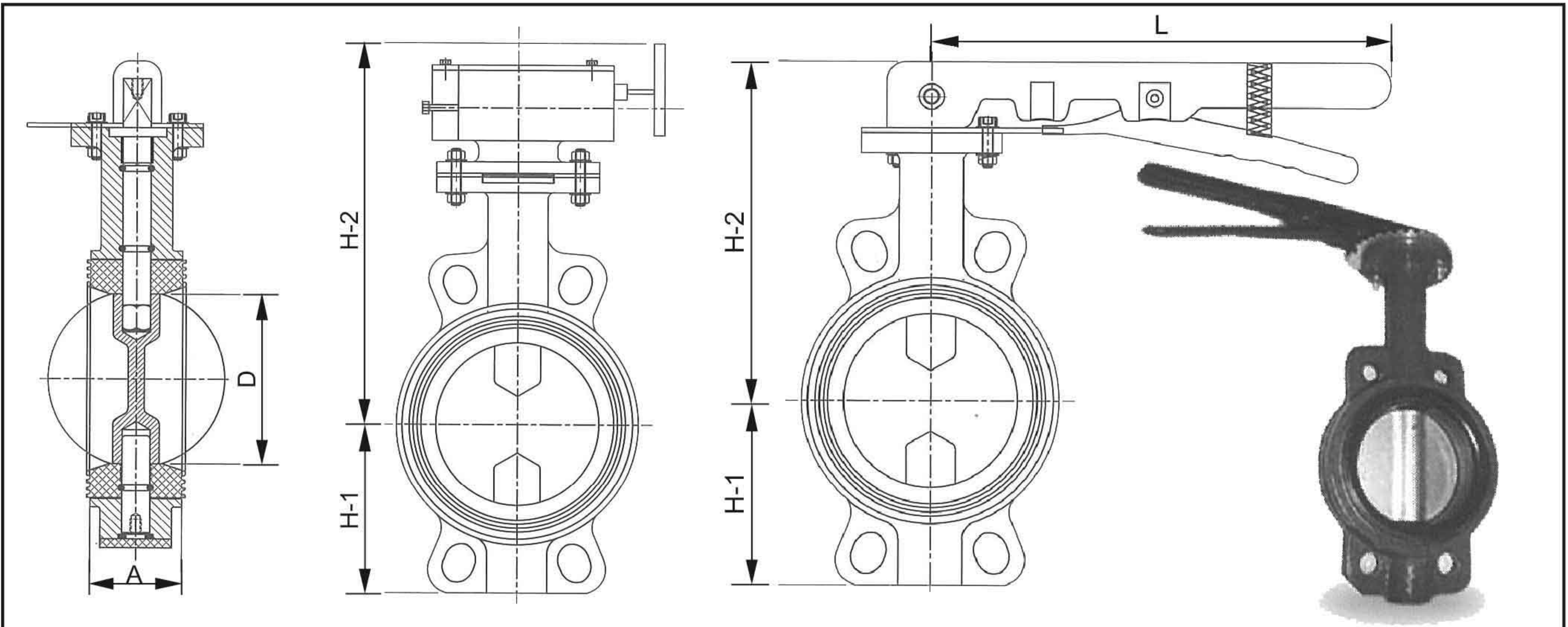
Application :

Kinetic air valve shall be capable of controlling the release of entrapped air and large volumes of air during a pipeline filling operation. Similarly, should a vacuum condition occur, the valve shall be capable of allowing a controlled intake of air into the system to minimize surge.

MATERIAL SPECIFICATIONS

COMPONENTS	MATERIAL OF CONSTRUCTION
Body	IS 210 FG 220 (CI)
High Pressure cover	IS 210 FG 220 (CI)
Low pressure seat ring & face ring	IS 210 FG 220 (CI) / A 536 Gr 40 (DI) : Natural Rubber , EPDM
Cowl/Joint support ring	IS 210 FG 220 (CI)
Body Seat ring	IS 210 FG 220 (CI)
H.P. orifice	: Leaded tin bronze/SS
Gasket	: Timber core with rubber coating/SS
Bolts & Nuts	: Natural rubber type B
Float	: Carbon steel
Guide	: Leaded tin bronze, high tensile brass

CAST IRON BUTTERFLY VALVE WAFER TYPE LEVER OPERATED (PN 10 & 16)



Size (mm)	A	H1	H2	L	ØD	Wt. Kg.
50	43	73	145	170	52	2.3
65	46	77	151	170	63	3
80	46	85	180	170	78	3.5
100	52	109	192	260	102	4.9
125	56	123	210	260	124	6.2
150	56	139	235	260	154	7.9
200	60	170	270	260	204	12
250	68	206	530	**	251	25
300	78	243	570	**	300	32

Technical Specifications

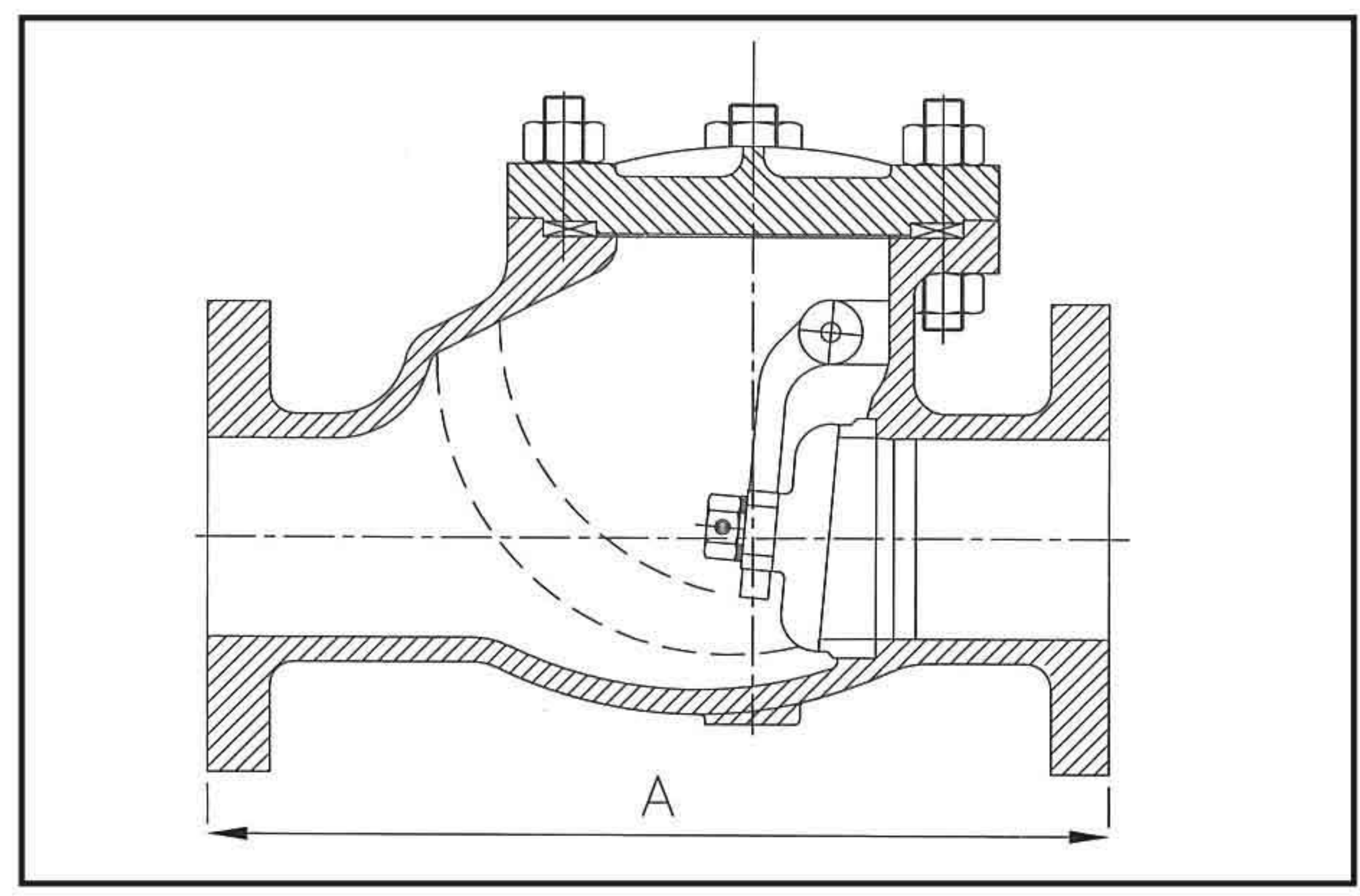
Manufacturing Standard : BSEN 5155/API 609
ENDS : Wafer type
Testing Standard : BSEN 12266-1/API 598

MATERIAL SPECIFICATIONS

COMPONENTS : MATERIAL OF CONSTRUCTION
Body : IS 210 FG 220 (CI)
Disc : A 536 GR 40 (DI) / A 351 Gr Cf8
Stem : A 276 Gr SS 410 / 304
Body Seat : EPDM + BACKLITE
Steam Bush : PTFE
Lever : CARBON STEEL

*Features : ** Gear operated valve Butterfly valve centric disc design, replaceable rubber seat.*

CAST IRON REFLUX VALVE (NON RETURN VALVE PN 10 PN 16)



Technical Specifications

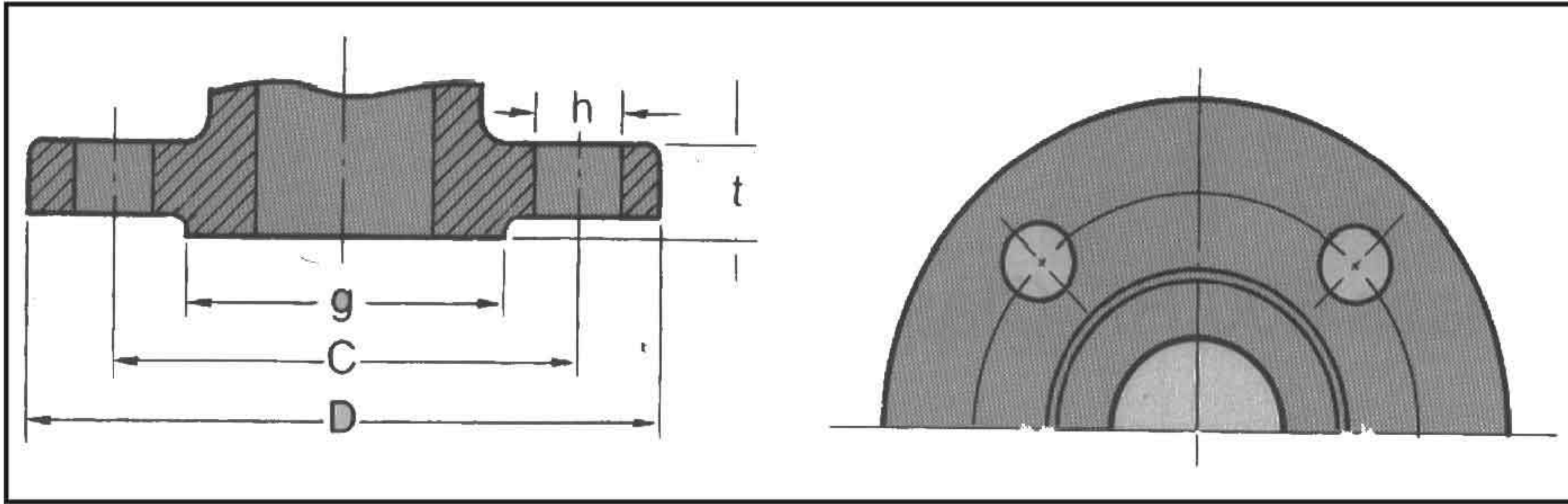
Design & Testing : IS 5312

MATERIAL SPECIFICATIONS

COMPONENTS : MATERIAL OF CONSTRUCTION
Body : IS 210 FG 220 (CI) / A 536 Gr 40 (DI)
Cover : IS 210 FG 220 (CI) / A 536 Gr 40 (DI)
Hinge : IS 210 FG 220 (CI) / A 536 Gr 40 (DI)
Seat Ring : BRONZE / SS410
Disc : CI + BRONZE / SS410

SIZE (mm)	50	65	80	100	125	150	200	250	300	350	400	450	500	600
A	200	240	260	300	350	400	500	600	700	800	900	1000	1100	1300

TECHNICAL INFORMATION - Steel Pipe Flanges



CLASS 150

Size mm	D	C	G	T	ø	N
1/2	15	89	60.5	35	11.2	16 4
3/4	20	98	70.0	43	12.7 (11.2)	16 4
1	25	108	79.5	51	14.3 (11.2)	16 4
1 1/4	32	117	89.0	64	15.9 (12.7)	16 4
1 1/2	40	127	98.5	73	17.5 (14.3)	16 4
2	50	152	120.5	92	19.1 (15.9)	19 4
2 1/2	65	178	139.5	105	22.3 (17.5)	19 4
3	80	190	152.5	127	23.9 (19.1)	19 4
4	100	229	190.5	157	23.9	19 8
5	125	254	216.0	186	23.9	22 8
6	150	279	241.5	216	25.4	22 8
8	200	343	298.5	270	28.6	22 8
10	250	406	362.0	324	30.2	25 12
12	300	483	432.0	381	31.8	25 12
14	350	533	476.5	413	35.0	29 12
16	400	597	539.5	470	36.6	29 16
18	450	635	578.0	533	39.7	32 16
20	500	698	635.0	584	42.9	32 20
24	600	813	749.5	692	47.7	35 20

CLASS 300

Size mm	D	C	G	T	ø	N
1/2	15	95	66.5	35	14.3	16 4
3/4	20	117	82.5	43	15.9	19 4
1	25	124	89.0	51	17.5	19 4
1 1/4	32	133	98.5	64	19.1	19 4
1 1/2	40	156	114.5	73	20.7	22 4
2	50	165	127.0	92	22.3	19 8
2 1/2	65	190	149.0	105	25.4	22 8
3	80	210	168.0	127	28.6	22 8
4	100	254	200.0	157	31.8	22 8
5	125	279	235.0	186	35.0	22 8
6	150	318	270.0	216	36.6	22 12
8	200	381	330.0	270	41.3	25 12
10	250	444	387.5	324	47.7	29 16
12	300	521	451.0	381	50.8	32 16
14	350	584	514.5	413	54.0	32 20
16	400	648	571.5	470	57.2	35 20
18	450	711	628.5	533	60.4	35 24
20	500	775	686.0	584	63.5	35 24
24	600	914	813.0	692	69.9	41 24

ASME B16.5.1996

CLASS 600

Size mm	D	C	G	T	ø	N
1/2	15	95	66.5	35	14.3	16 4
3/4	20	117	82.5	43	15.9	19 4
1	25	124	89.0	51	17.5	19 4
1 1/4	32	133	98.5	64	20.7	19 4
1 1/2	40	156	114.5	73	22.3	22 4
2	50	165	127.0	92	25.4	19 8
2 1/2	65	190	149.0	105	28.6	22 8
3	80	210	168.0	127	31.8	22 8
4	100	273	216.0	157	38.1	25 8
5	125	330	266.5	186	44.5	29 8
6	150	356	292.0	216	47.7	29 12
8	200	419	349.0	270	55.6	32 12
10	250	508	432.0	324	63.5	35 16
12	300	559	489.0	381	66.7	35 20
14	350	603	527.0	413	69.9	38 20
16	400	686	603.0	470	76.2	41 20
18	450	743	654.0	533	82.6	45 20
20	500	813	724.0	584	88.9	45 24
24	600	940	838.0	692	101.6	51 24

CLAS 900

Size mm	D	C	G	T	ø	N
3	80	241	190.5	127	38.1	25 8
4	100	292	235.0	157	44.5	32 8
5	125	349	279.5	186	50.8	35 8
6	150	381	317.5	216	55.7	32 12
8	200	470	393.5	270	63.5	38 12
10	250	546	470.0	324	69.9	38 16
12	300	610	533.5	381	79.3	38 20
14	350	641	559.0	413	85.9	41 20
16	400	705	616.0	470	88.9	45 20
18	450	787	686.0	533	101.6	51 20
20	500	857	749.5	584	108.0	54 20
24	600	1041	901.5	692	139.7	67 20

MSS SP - 44 1996 ;
ASME B16.47 S
Series A - 1996

CLASS 1500

Size mm	D	C	G	T	ø	N
1/2	15	121	82.5	35	22.4	22 4
3/4	20	130	89.0	43	25.4	22 4
1	25	149	101.5	51	28.5	25 4
1 1/4	32	159	111.0	64	28.5	25 4
1 1/2	40	178	124.0	73	31.8	29 4
2	50	216	165.0	92	38.1	25 8
2 1/2	65	244	190.5	105	41.2	29 8
3	80	267	203.0	127	47.8	32 8
4	100	311	241.5	157	53.9	35 8
5	125	375	292.0	186	73.2	41 8
6	150	394	317.5	216	82.6	38 12
8	200	483	393.5	270	92.0	45 12
10	250	584	482.5	324	108.0	51 16
12	300	673	571.5	381	124.0	54 16
14	350	749	635.0	413	133.4	60 16
16	400	826	705.0	470	146.1	67 16
18	450	914	774.5	533	162.1	73 16
20	500	984	832.0	584	177.8	79 16
24	600	1168	990.5	692	203.2	92 16

CLAS 150

Size mm	D	C	G	T	ø	N
22	550	749	692.0	641	46.0	35 20
26	650	870	806.5	749	68.4	35 24
28	700	927	863.5	800	71.4	35 28
30	750	984	914.5	857	74.7	35 28
32	800	1060	978.0	914	80.8	41 28
34	850	1111	1029.0	965	82.6	41 32
36	900	1168	1086.0	1022	90.5	41 32

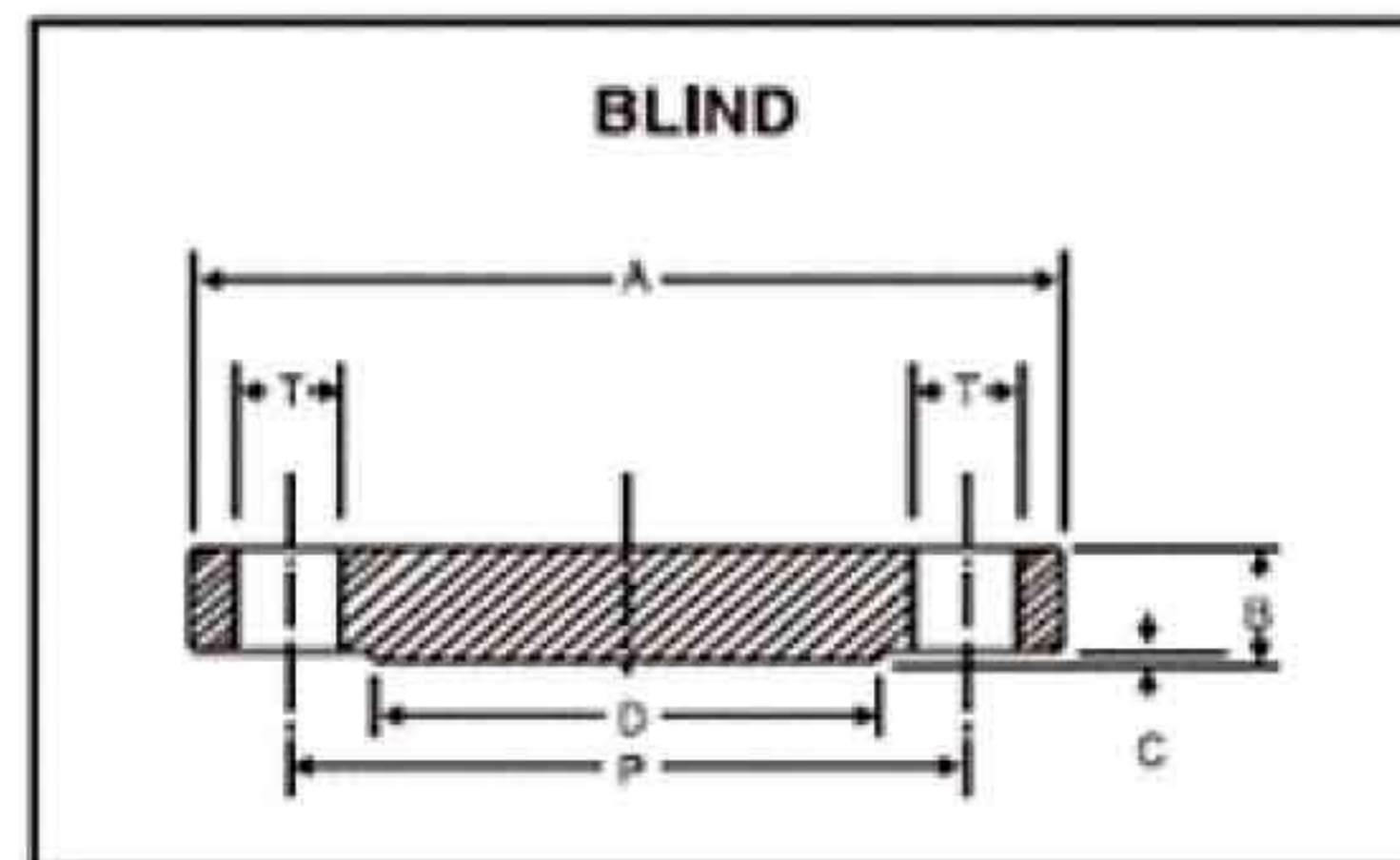
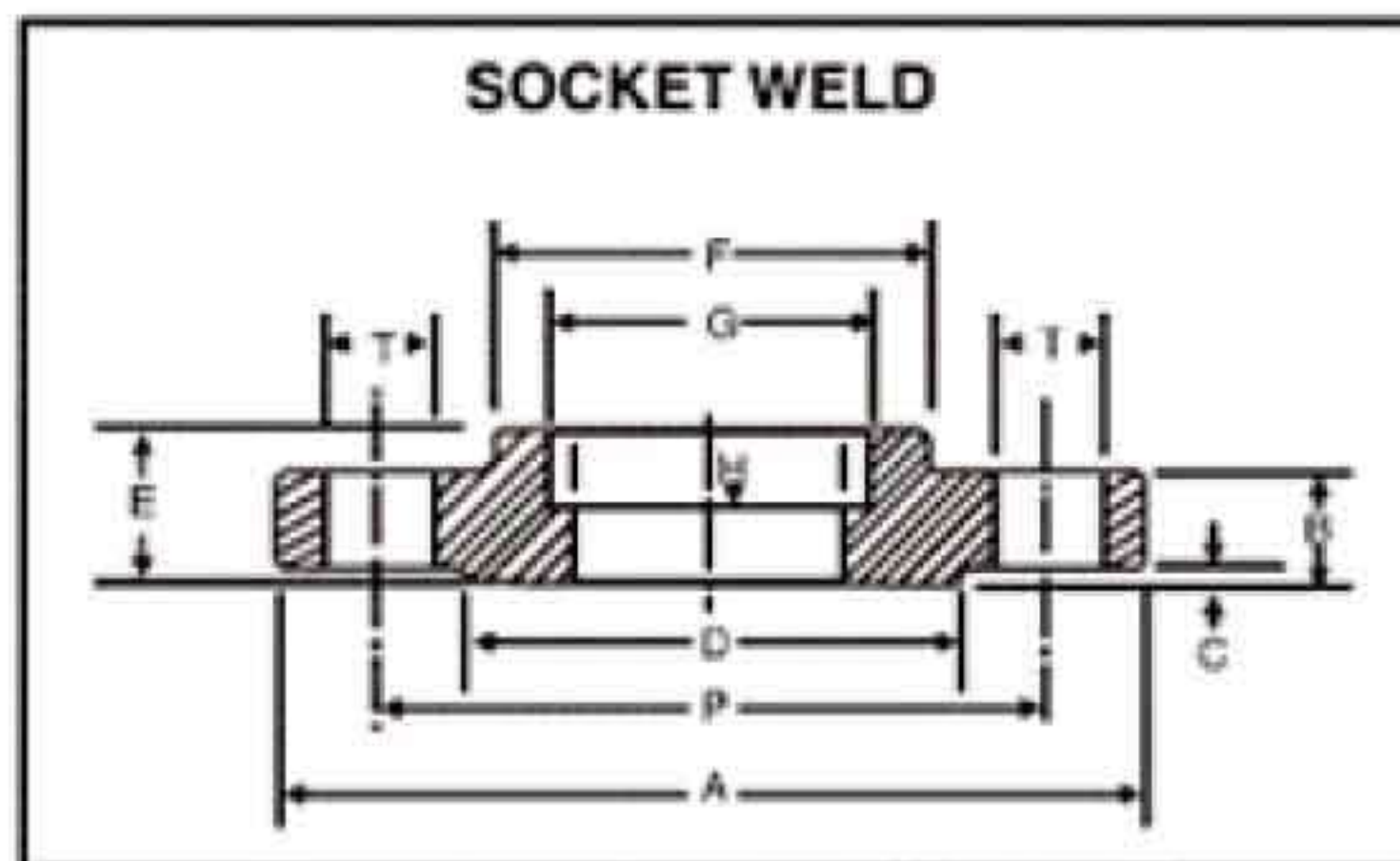
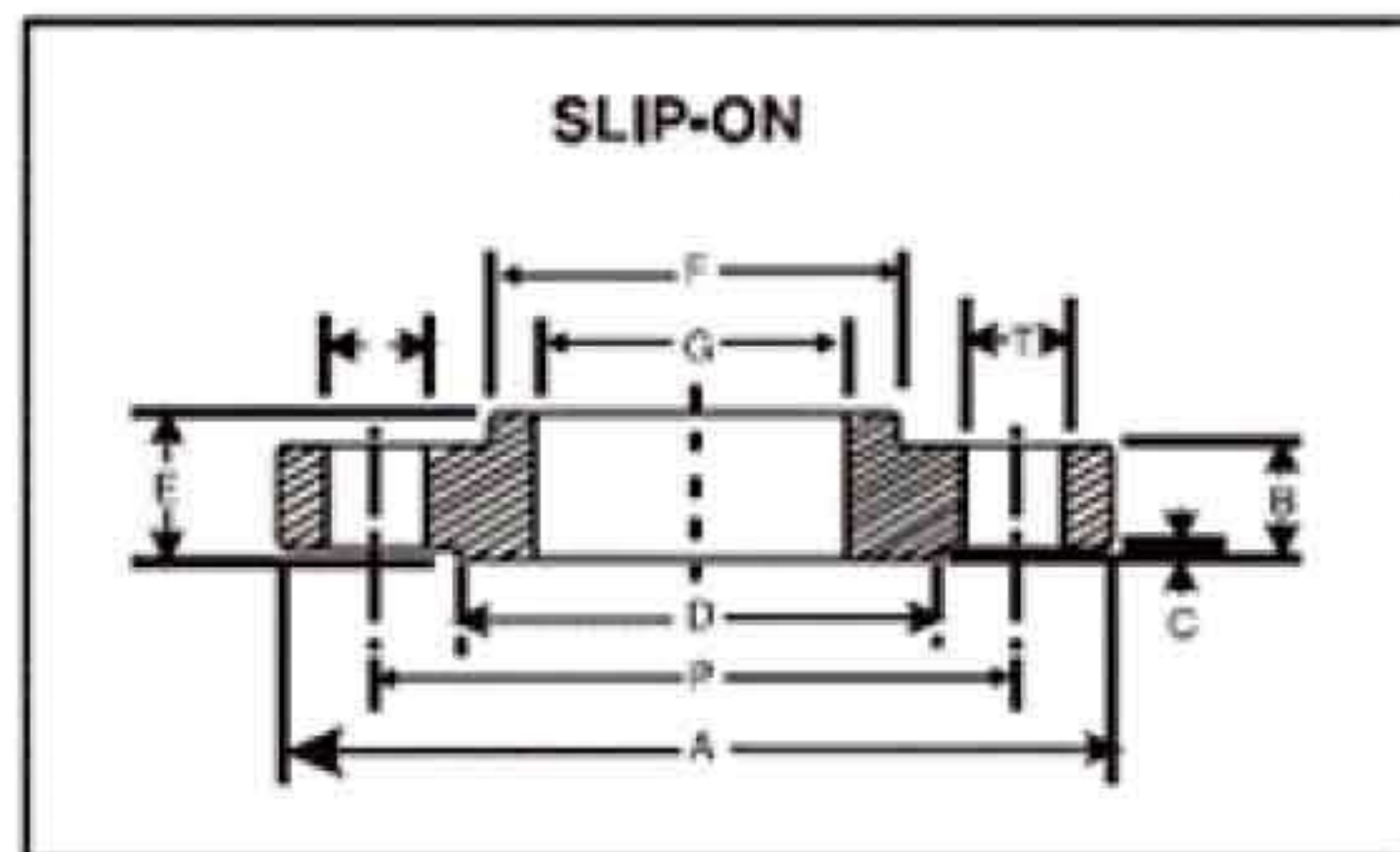
CLAS 300

Size mm	D	C	G	T	ø	N
22	550	838	743.0	641	66.6	41 24
26	650	972	876.5	749	79.3	45 28
28	700	1035	940.0	800	85.9	45 28
30	750	1092	997.0	857	92.0	48 28
32	800	1149	1054.0	914	98.6	51 28
34	850	1207	1105.0	965	101.6	51 28
36	900	1270	1168.5	1022	104.7	54 32

CLAS 600

Size mm	D	C	G	T	ø	N
24	650	1016	914.5	749	108.0	51 28
28	700	1073	965.0	800	111.3	54 28
30	750	1130	1022.5	857	114.3	54 28

FLANGES DIMENSIONS



DIMENSIONS OF CLASS 150 FLANGES AS PER ANSI B 16.5

N.B	A	B	C	D	E	F	G	H	J	K	L	M	N	O	P	R	T	No.of Holes
15	89	11.1	1.6	35	16	30	22.4	9.5	21.3	-	48	16	16	23.0	60.3	3.0	15.9	4
20	98	12.7	1.6	43	16	38	27.7	11.0	26.7	-	52	16	16	28.0	69.8	3.0	15.9	4
25	108	14.3	1.6	51	17	49	34.5	12.5	33.4	-	56	17	17	35.0	79.4	3.0	15.9	4
32	117	15.9	1.6	64	21	59	43.2	14.5	42.2	-	57	21	21	43.5	88.9	5.0	15.9	4
40	127	17.5	1.6	73	22	65	49.5	16.0	48.3	-	62	22	22	50.0	98.4	6.5	15.9	4
50	152	19.0	1.6	92	25	78	62.0	17.5	60.3	-	64	25	25	62.5	120.6	8.0	19.0	4
65	178	22.2	1.6	105	29	90	74.7	19.0	73.0	-	70	29	29	75.5	139.7	8.0	19.0	4
80	190	23.8	1.6	127	30	108	90.7	20.5	88.9	-	70	30	30	91.5	152.4	9.5	19.0	4
90	216	23.8	1.6	140	32	122	103.4	-	101.6	-	71	32	32	104.0	177.8	9.5	19.0	8
100	229	23.8	1.6	157	33	135	116.1	-	114.3	-	76	33	33	117.0	190.5	11.0	19.0	8
125	254	23.8	1.6	186	37	164	143.8	-	141.3	-	89	37	37	145.0	215.9	11.0	22.2	8
150	279	25.4	1.6	216	40	192	170.7	-	168.3	-	89	40	40	171.0	241.3	12.5	22.2	8
200	343	28.6	1.6	270	44	246	221.5	-	219.1	-	102	44	44	222.0	293.4	12.5	22.2	8
250	406	30.2	1.6	324	49	305	276.4	-	273.0	-	102	49	49	277.0	362.0	12.5	25.4	12
300	483	31.8	1.6	381	56	365	327.2	-	323.9	-	114	56	56	328.0	431.8	12.5	25.4	12
350	533	34.9	1.6	413	57	400	359.2	-	355.6	-	127	57	79	360.0	476.2	12.5	28.6	12
400	597	36.5	1.6	470	64	457	410.5	-	406.4	-	127	64	87	411.0	539.8	12.5	28.6	16
450	635	39.7	1.6	533	68	505	461.8	-	457.2	-	140	68	97	462.0	577.8	12.5	31.8	16
500	698	42.9	1.6	584	73	559	513.1	-	508.0	-	144	73	103	514.0	635.0	12.5	31.8	20
600	813	47.6	1.6	692	83	664	616.0	-	609.6	-	152	83	111	616.0	749.3	12.5	34.9	20

DIMENSIONS OF CLASS 300 FLANGES AS PER ANSI B 16.5

N.B.	A	B	C	D	E	F	G	H	J	K	L	M	N	O	P	R	T	No.of Holes
15	95	14.3	1.6	35	22	38	22.4	9.5	21.3	23.5	52	16	22	23.0	66.7	3.0	15.9	4
20	117	15.9	1.6	43	25	48	27.7	11.0	26.7	29.0	57	16	25	28.0	82.6	3.0	19.0	4
25	124	17.5	1.6	51	27	54	34.5	12.5	33.4	36.0	62	17	27	35.0	88.9	3.0	19.0	4
32	133	19.0	1.6	64	27	64	43.2	14.5	42.2	44.5	65	21	27	43.5	98.4	5.0	19.0	4
40	156	20.6	1.6	73	30	70	49.5	16.0	48.3	50.5	68	22	30	50.0	114.3	6.5	22.2	4
50	165	22.2	1.6	92	33	84	62.0	17.5	60.3	63.5	70	29	33	62.5	127.0	8.0	19.0	8
65	190	25.4	1.6	105	38	100	74.7	19.0	73.0	76.0	76	32	38	75.5	149.2	8.0	22.2	8
80	210	28.6	1.6	127	43	117	90.7	20.5	88.9	92.0	79	32	43	91.5	168.3	9.5	22.2	8
90	229	30.2	1.6	140	44	133	103.4	-	101.6	105.0	81	37	44	104.0	184.2	9.5	22.2	8
100	254	31.8	1.6	157	48	146	116.1	-	114.3	118.0	86	37	48	117.0	200.0	11.0	22.2	8
125	279	34.9	1.6	186	51	178	143.8	-	141.3	145.0	98	43	51	145.0	235.0	11.0	22.2	8
150	318	36.5	1.6	216	52	206	170.7	-	168.3	171.0	98	46	52	171.0	269.9	12.5	22.2	12
200	381	41.3	1.6	270	62	260	221.5	-	219.1	222.0	111	51	62	222.0	330.2	12.5	25.4	12
250	444	47.6	1.6	324	67	321	276.4	-	273.0	276.0	117	56	95	277.0	387.4	12.5	28.6	16
300	521	50.8	1.6	381	73	375	327.2	-	323.9	329.0	130	60	102	328.0	450.8	12.5	31.8	16
350	584	54.0	1.6	413	76	425	359.2	-	355.6	360.0	143	64	111	360.0	514.4	12.5	31.8	20
400	648	57.2	1.6	470	83	483	410.5	-	406.4	411.0	146	68	121	411.0	571.5	12.5	34.9	20
450	711	60.3	1.6	533	89	533	461.8	-	457.2	462.0	159	70	130	462.0	628.6	12.5	34.9	24
500	775	63.5	1.6	584	95	587	513.1	-	508.0	513.0	162	73	140	514.0	685.8	12.5	34.9	24
600	914	69.8	1.6	692	106	702	616.0	-	609.6	614.0	168	83	152	616.0	812.8	12.5	41.3	24

- 1) All dimensions are in millimeters.
- 2) Flanges except Lap Joint will be furnished with (1.6) Raised Face, which is included in "Thickness@""Length through Hub(Y)".

M/s. Hi-Tech Engineering Works

OUR SISTER CONCERN



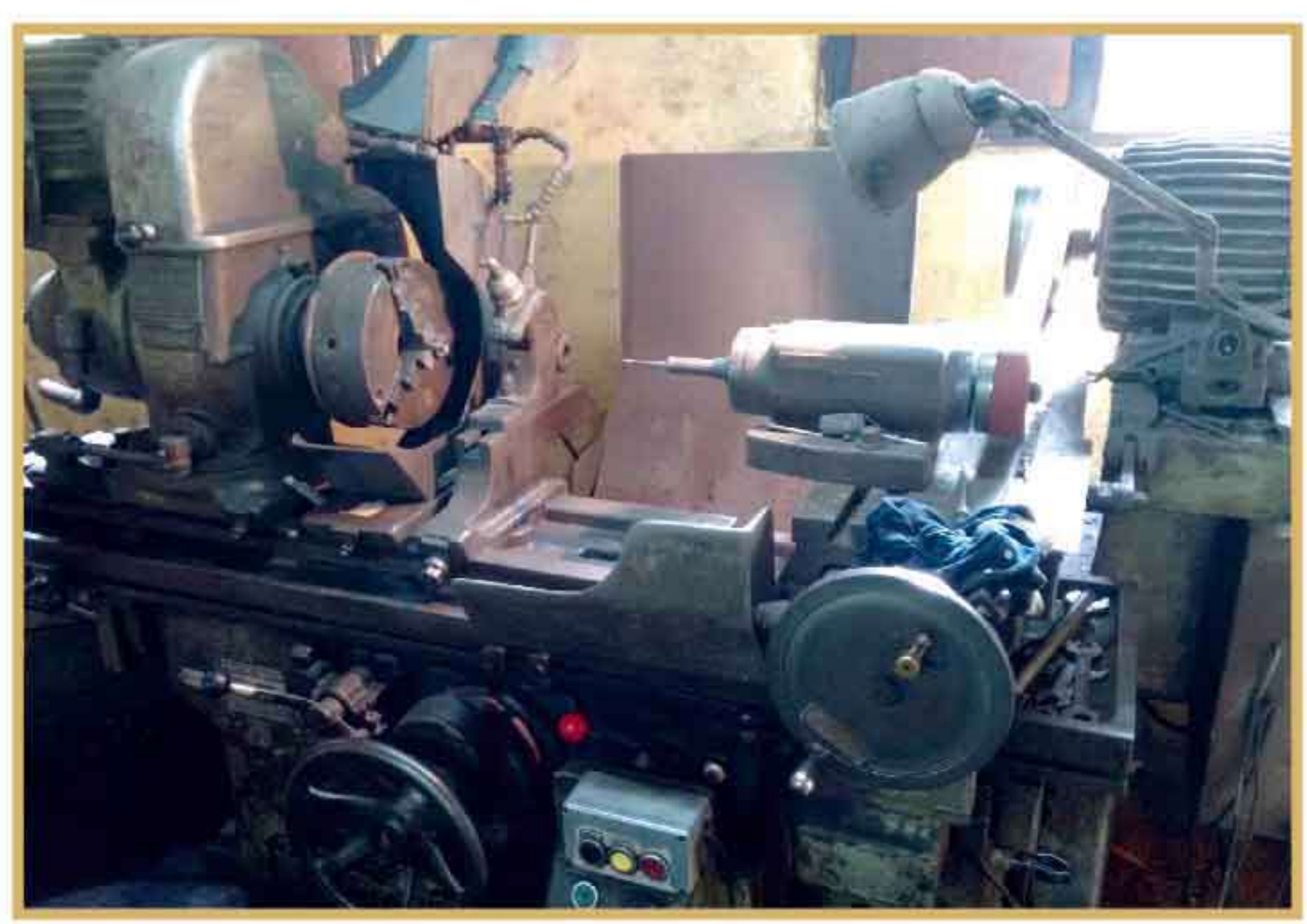
Light House



S S Water Tank with Filtering Screen for Printing Press

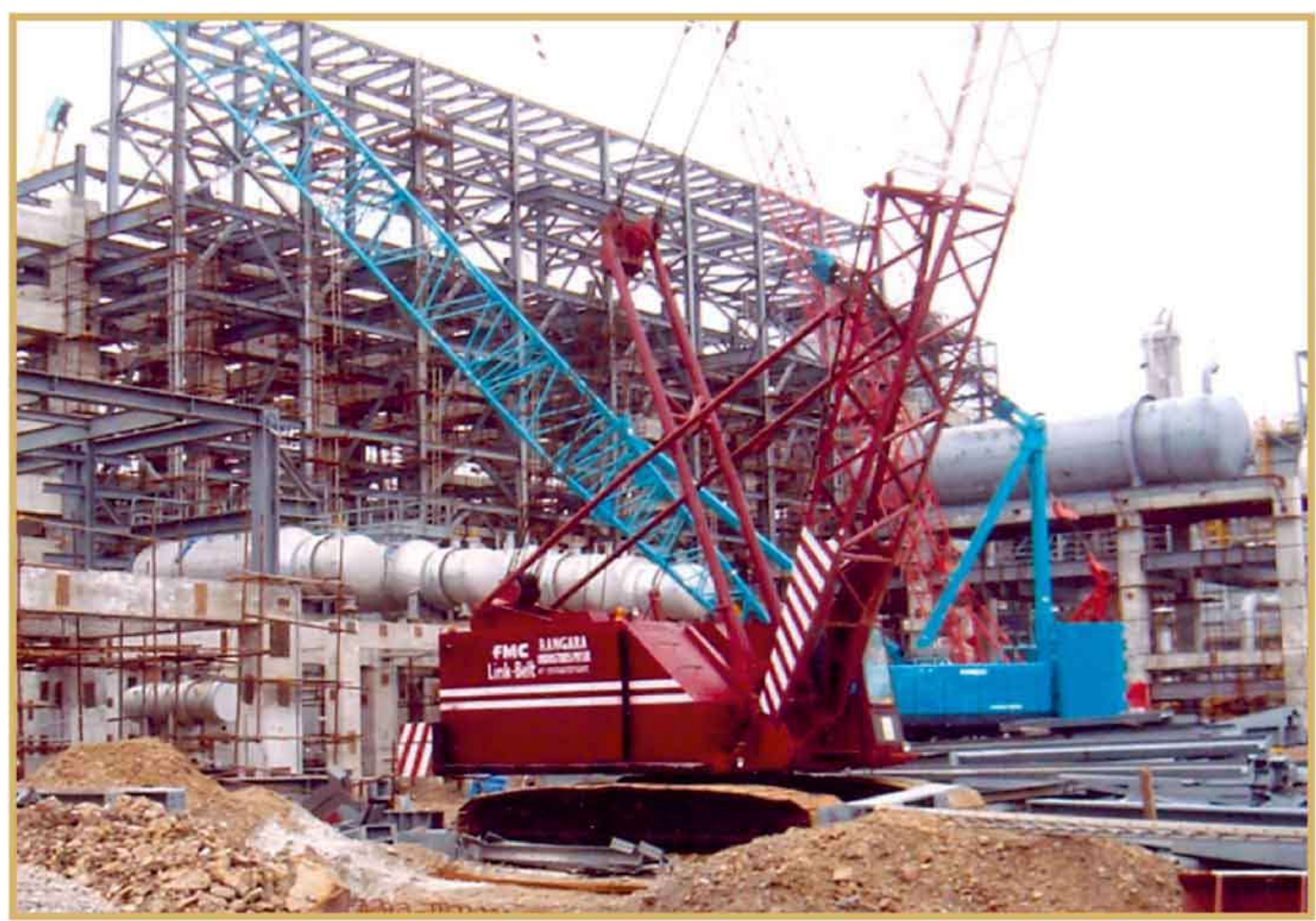


Hydraulic Trolley for lifting NEWS Paper Rill



M/s. Hindustan Engineering Corporation

OUR SISTER CONCERN



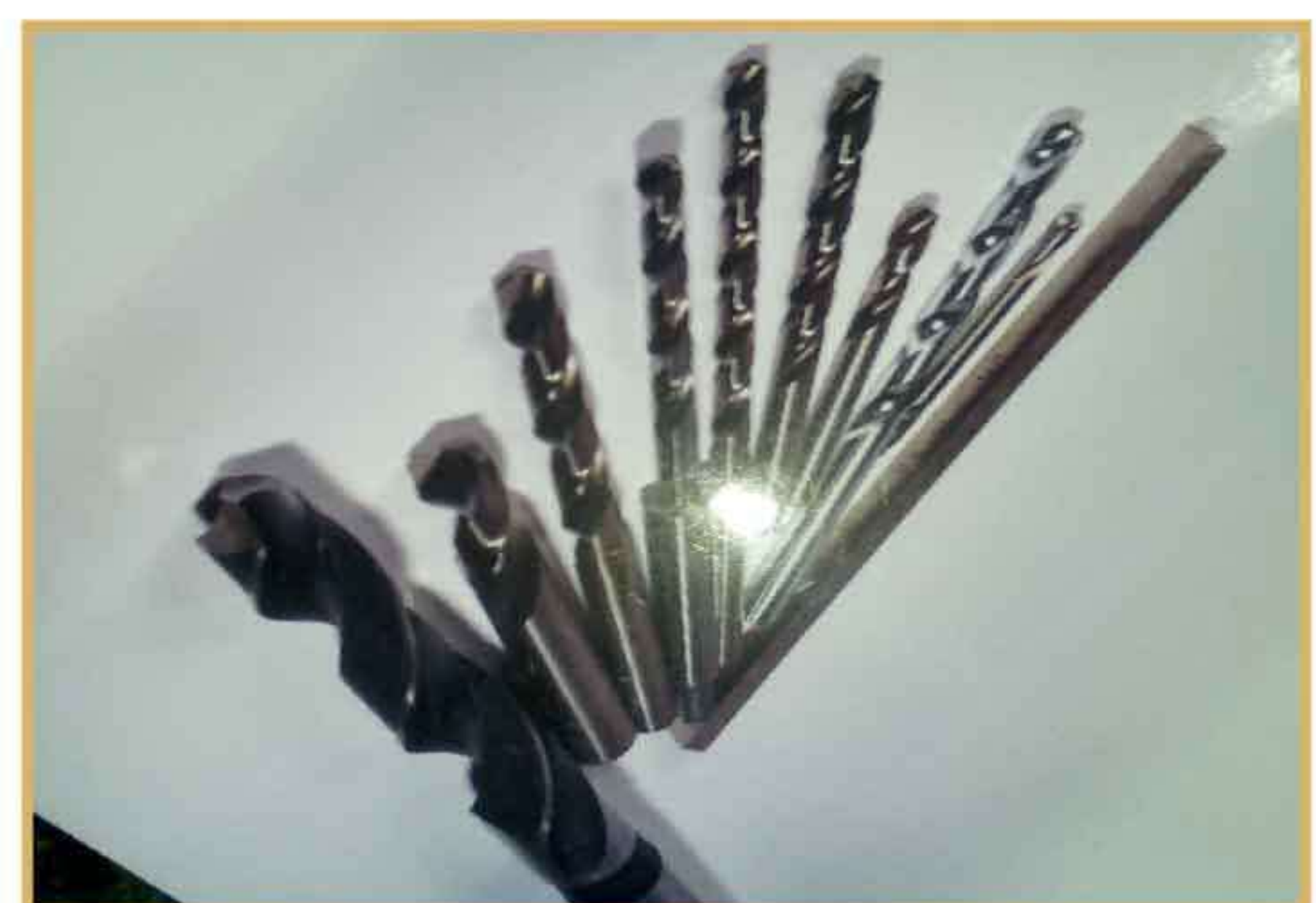
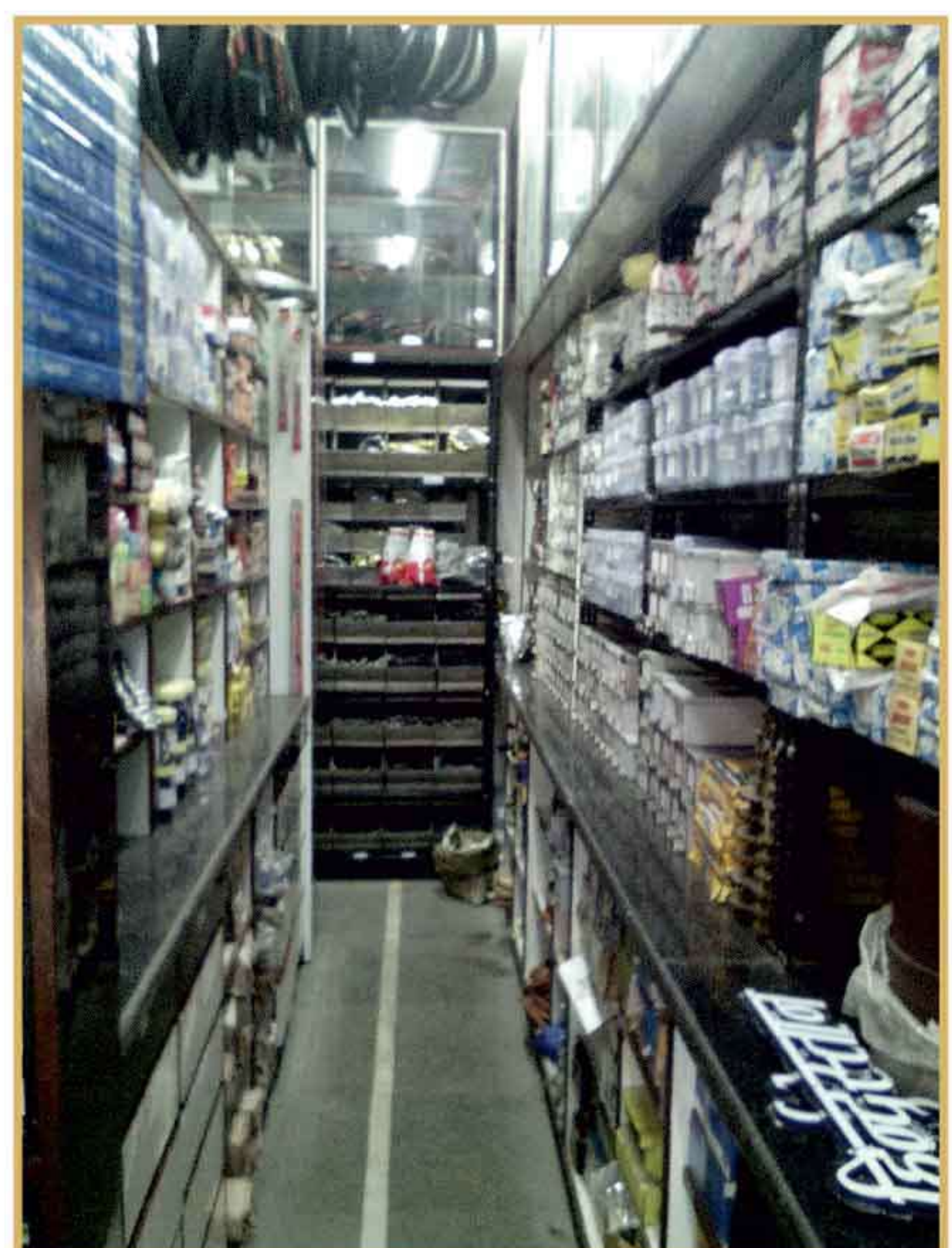
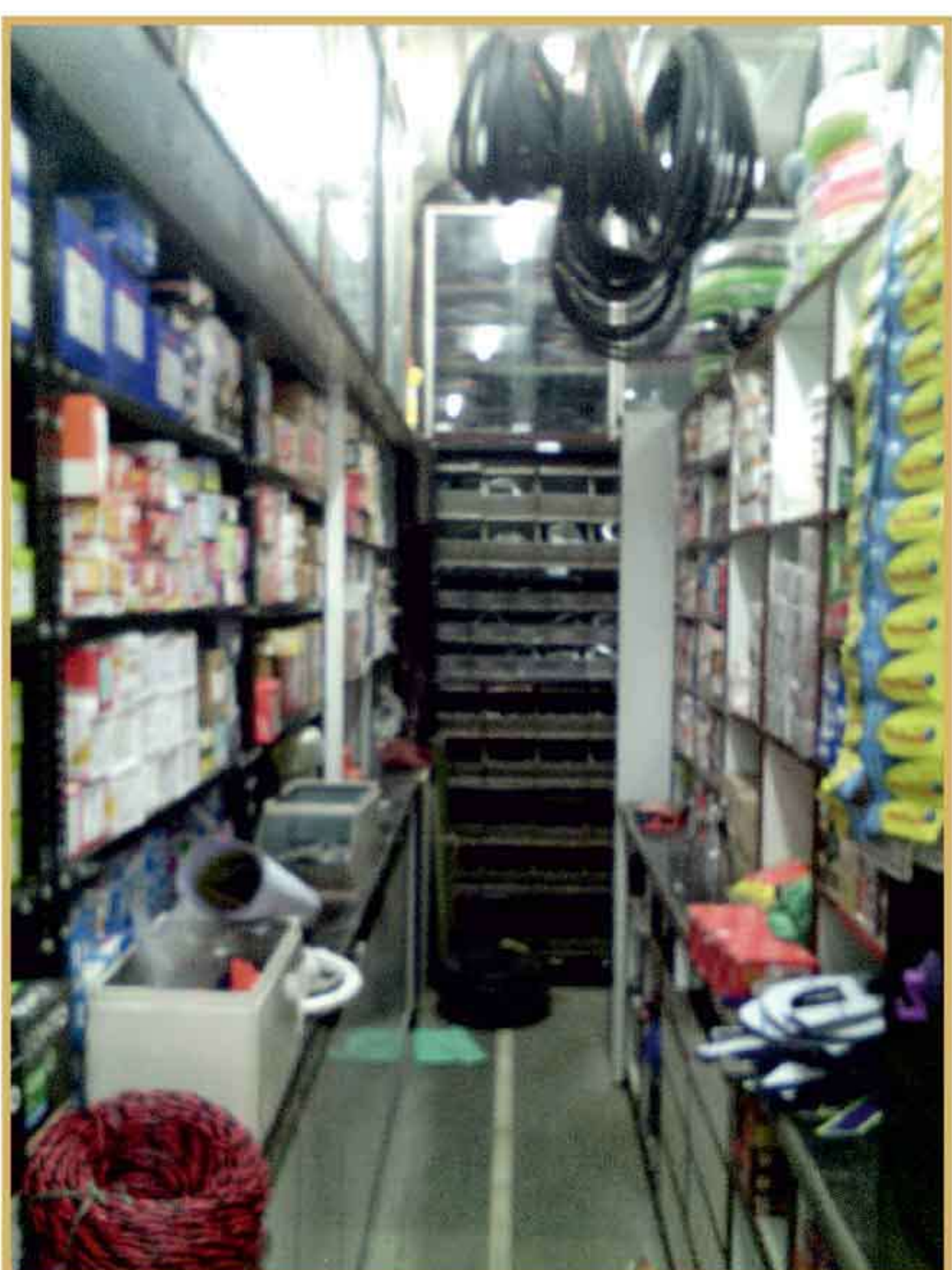
M/s. Jass Polymers

OUR SISTER CONCERN



M/s. Hindustan Hadware

OUR SISTER CONCERN





arco valves pvt. ltd.
Industrial Valves Manufacturer

Plot No. 23 / 24, CIDCO Industrial Estate, Sector 1- A, AIROLI, Navi Mumbai - 400 708. Maharashtra, INDIA.

Tel. : 022 - 27797897 / 98 / 99 E mail : arcovalves@gmail.com / arcovpl@yahoo.co.in Web.: www.arcovalves.com